

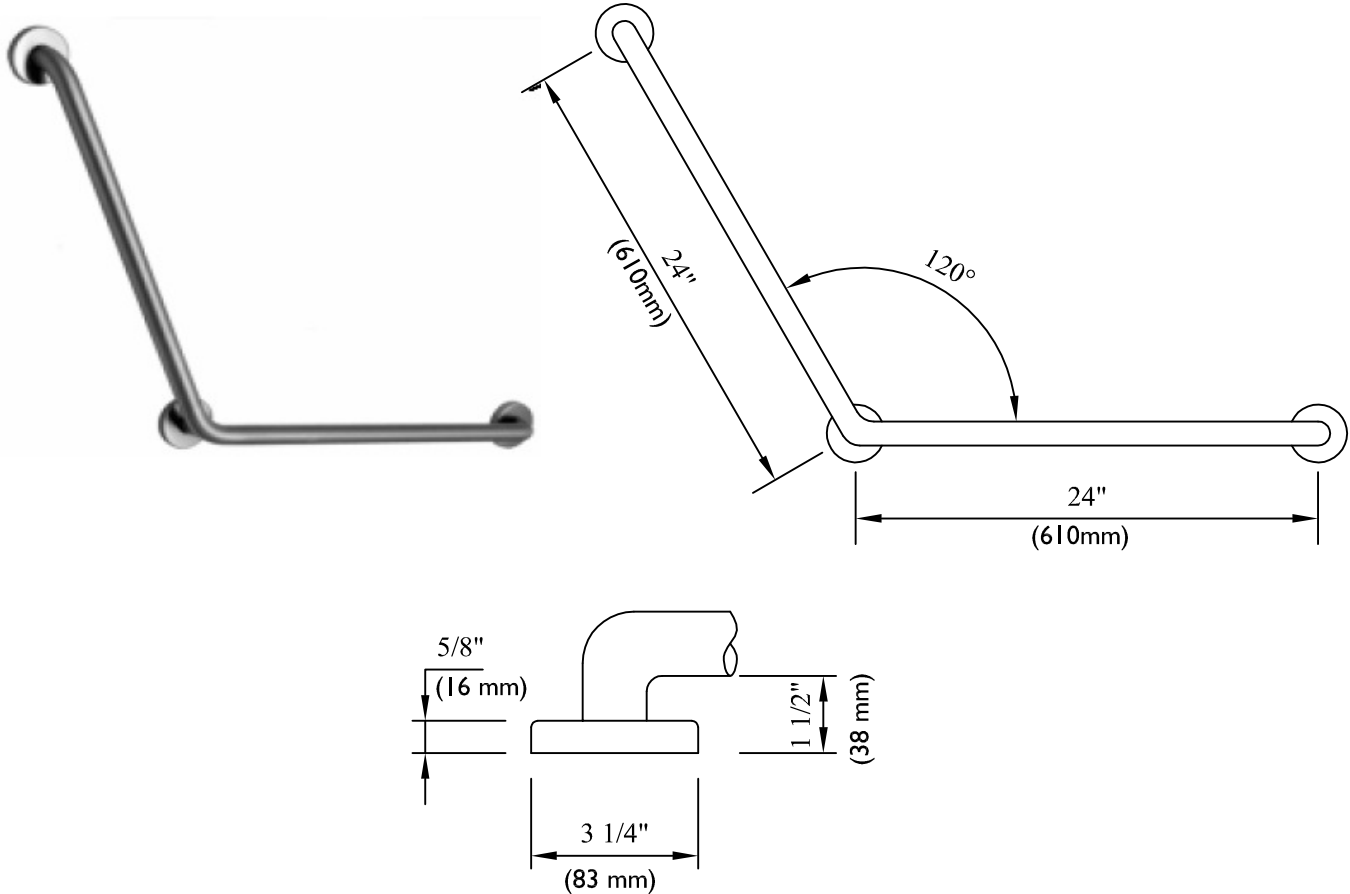
1 1/4" (32mm) DIAMETER
STAINLESS STEEL 24" x 24"
120 - DEGREE GRAB BAR

Shanahan's

SDH SERIES

TECHNICAL DATA

MODEL NUMBER
SHGB - 24x24x120



BAR CONSTRUCTION

FLANGE ESCUTCHEON - TYPE 304 STAINLESS STEEL WITH SATIN FINISH. 3" DIAMETER AND 3/4" HIGH. ESCUTCHEONS WILL SNAP OVER MOUNTING FLANGES TO CONCEAL THE MOUNTING SCREW.

FLANGE - TYPE 304 STAINLESS STEEL, 3" DIAMETER WITH TWO MOUNTING HOLES. FLANGE TO BE MIN. 11 GAUGE THICK.

GRAB BARS - TYPE 304 STAINLESS STEEL WITH SATIN FINISH. TUBING IS 1 1/4" DIAMETER WITH HELIARC WELDED MOUNTING FLANGES. RETURN BEND MAINTAINS A STANDARD 1 1/2" CLEARANCE BETWEEN THE BAR AND WALL. ALL BARS TO COME WITH PEENED SAFETY FINISH.

STRENGTH

WHEN MOUNTED PROPERLY, SDH GRAB BARS CAN WITHSTAND VERTICAL LOADS GREATER THAN 1200 POUNDS. INDEPENDENT TESTING DATA AVAILABLE ON REQUEST. ENSURE SUFFICIENT BACKING AND APPROPRIATE FASTENING DEVICES ARE USED.

* GRAB BAR STRENGTH IS LIMITED BY THE STRENGTH OF FASTENERS USED*.