

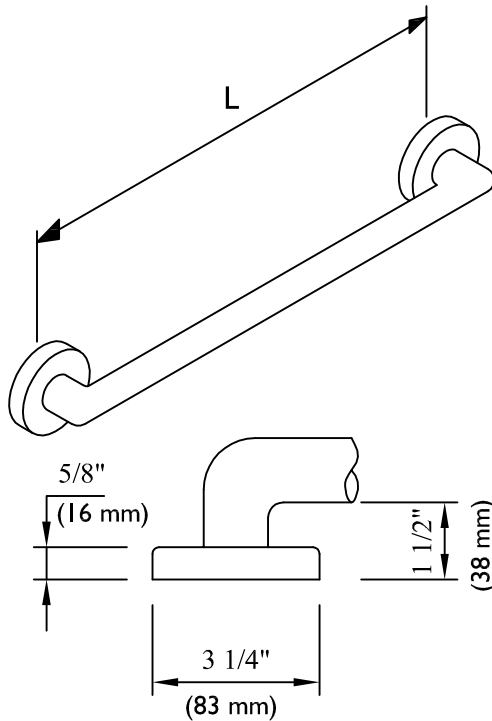
1 1/4" (32mm) DIAMETER  
STAINLESS STEEL  
STRAIGHT GRAB BARS

# Shanahan's

## SDH SERIES

### TECHNICAL DATA

MODEL NUMBER  
SHGB  
STRAIGHT GRAB BARS



MODEL NUMBER	GRAB BAR LENGTH (L)
SHGB - 12	12" STRAIGHT GRAB BAR
SHGB - 16	16" STRAIGHT GRAB BAR
SHGB - 18	18" STRAIGHT GRAB BAR
SHGB - 24	24" STRAIGHT GRAB BAR
SHGB - 30	30" STRAIGHT GRAB BAR
SHGB - 36	36" STRAIGHT GRAB BAR
SHGB - 42	42" STRAIGHT GRAB BAR
SHGB - 48	48" STRAIGHT GRAB BAR

#### BAR CONSTRUCTION

**FLANGE ESCUTCHEON** - TYPE 304 STAINLESS STEEL WITH SATIN FINISH. 3" DIAMETER AND 3/4" HIGH. ESCUTCHEONS WILL SNAP OVER MOUNTING FLANGES TO CONCEAL THE MOUNTING SCREW.

**FLANGE** - TYPE 304 STAINLESS STEEL, 3" DIAMETER WITH TWO MOUNTING HOLES. FLANGE TO BE MIN. 11 GAUGE THICK.

**GRAB BARS** - TYPE 304 STAINLESS STEEL WITH SATIN FINISH. TUBING IS 1 1/4" DIAMETER WITH HELIARC WELDED MOUNTING FLANGES. RETURN BEND MAINTAINS A STANDARD 1 1/2" CLEARANCE BETWEEN THE BAR AND WALL. ALL BARS TO COME WITH PEENED SAFETY FINISH.

#### STRENGTH

WHEN MOUNTED PROPERLY, SDH GRAB BARS CAN WITHSTAND VERTICAL LOADS GREATER THAN 1200 POUNDS. INDEPENDENT TESTING DATA AVAILABLE ON REQUEST. ENSURE SUFFICIENT BACKING AND APPROPRIATE FASTENING DEVICES ARE USED.

\* GRAB BAR STRENGTH IS LIMITED BY THE STRENGTH OF FASTENERS USED\*.